

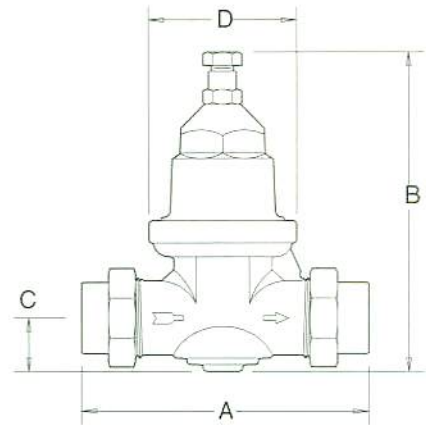
### AMERICAN STANDARD

SIZE	CONNECTIONS	DIMENSIONS (in.)				SHIPPING WT. (lbs)
		A	B	C	D	
1/2"	SINGLE UNION	4.40	6.25	1.10	2.50	3.0
1/2"	LESS UNION	3.50	6.25	1.10	2.50	3.0
1/2"	DOUBLE UNION	5.25	6.25	1.10	2.50	3.0
3/4"	SINGLE UNION	4.45	6.25	1.10	2.50	3.0
3/4"	LESS UNION	3.50	6.25	1.10	2.50	3.0
3/4"	DOUBLE UNION	5.40	6.25	1.10	2.50	3.0
1"	SINGLE UNION	4.95	7.75	1.20	3.00	4.0
1"	LESS UNION	4.00	7.75	1.20	3.00	4.0
1"	DOUBLE UNION	5.90	7.75	1.20	3.00	4.0
1 1/4"	SINGLE UNION	6.00	6.50	3.90	N/A	7.0
1 1/4"	LESS UNION	5.00	6.50	3.90	N/A	6.0
1 1/4"	DOUBLE UNION	7.50	6.50	3.90	N/A	8.0
1 1/2"	SINGLE UNION	7.00	8.00	5.00	N/A	11.0
1 1/2"	LESS UNION	5.80	8.00	5.00	N/A	10.0
1 1/2"	DOUBLE UNION	8.00	8.00	5.00	N/A	12.0
2"	SINGLE UNION	7.00	8.00	5.00	N/A	13.0
2"	LESS UNION	5.80	8.00	5.00	N/A	11.0
2"	DOUBLE UNION	8.30	8.00	5.00	N/A	14.0

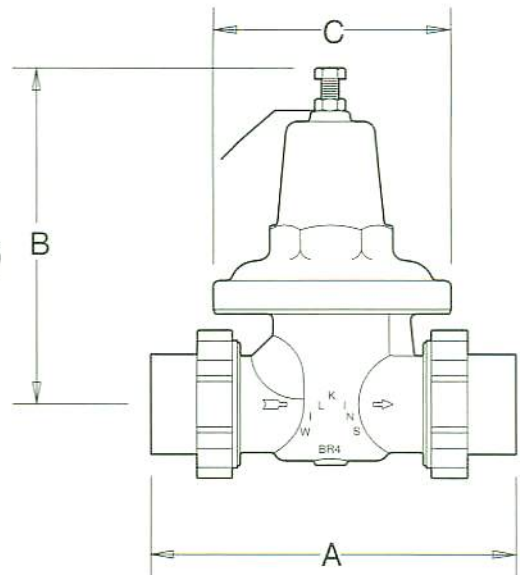
### METRIC STANDARD

SIZE	CONNECTIONS	DIMENSIONS (mm)				SHIPPING WT. (kgs)
		A	B	C	D	
15	SINGLE UNION	110	160	30	65	1.5
15	LESS UNION	90	160	30	65	1.5
15	DOUBLE UNION	135	160	30	65	1.5
20	SINGLE UNION	115	160	30	65	1.5
20	LESS UNION	90	160	30	65	1.5
20	DOUBLE UNION	135	160	30	65	1.5
25	SINGLE UNION	125	195	35	75	2.0
25	LESS UNION	100	195	35	75	2.0
25	DOUBLE UNION	150	195	35	75	2.0
32	SINGLE UNION	153	165	100	N/A	3.0
32	LESS UNION	127	165	100	N/A	2.5
32	DOUBLE UNION	190	165	100	N/A	3.5
40	SINGLE UNION	178	203	127	N/A	5.0
40	LESS UNION	148	203	127	N/A	4.5
40	DOUBLE UNION	203	203	127	N/A	5.5
50	SINGLE UNION	178	203	127	N/A	6.0
50	LESS UNION	148	203	127	N/A	5.0
50	DOUBLE UNION	211	203	127	N/A	6.5

(1/2"-1")

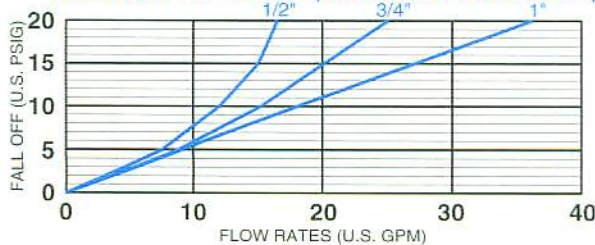


(1 1/4"-2")



### FLOW CHARACTERISTICS

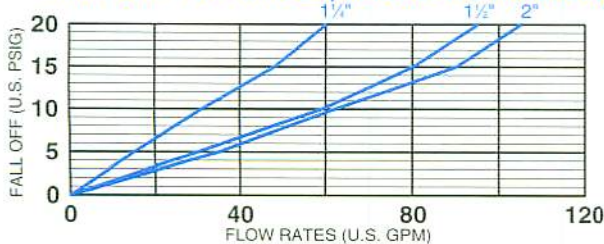
Model BR4 1/2" thru 1" (AMERICAN STANDARD)



Model BR4 15mm thru 25mm (METRIC STANDARD)



Model BR4 1 1/4" thru 2" (AMERICAN STANDARD)



Model BR4 32mm thru 50mm (METRIC STANDARD)

